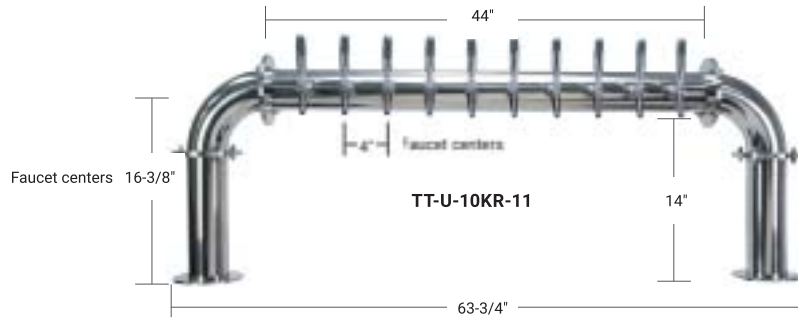


# DRAFT TOWER PORTFOLIO



## TITAN™

Brewery-pipe style with heroic proportions characterizes the Titan™ series. Impressive, eye-catching 4" diameter uprights and crossbar are contrasted with 7" flanges. The Titan™ series body is constructed with heavy-duty stainless steel tubes and flanges polished to a tarnish-resistant, mirror-like finish. Titan™ series towers feature glycol cooled 304 stainless steel faucets using Kool-Rite™ technology. Available in two styles: U-shape or Y-shape. In stock in five faucet configurations.



### TITAN™ "U" – 4" COLUMN

Kool-Rite™ (glycol cooled) includes: 304 stainless steel faucet & shank with 1/4" O.D. tube.

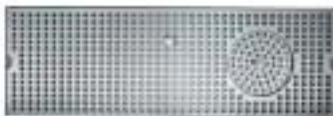
PART NO.	FAUCETS	FINISH	LENGTH	OUTLET	RESTRICTION	DISPENSE SYSTEM
TT-U-8KR-11	8	Polished SS	55-3/4"	Tube	10 1/2 lbs	Kool-Rite™ (Glycol)
TT-U-10KR-11	10	Polished SS	63-3/4"	Tube	10 1/2 lbs	Kool-Rite™ (Glycol)
TT-U-12KR-11	12	Polished SS	71-3/4"	Tube	10 1/2 lbs	Kool-Rite™ (Glycol)



## DRIP TRAY SELECTIONS



DP-120D-33



DP-820D-33GR

PART NO.	FAUCETS	SERIES TYPE	FINISH	DIMENSIONS	GLASS RINSER
DP-120D-33	8-U	Surface mount	SS	33"W x 5"D x 3/4"H	
DP-820D-33	8-U	Surface mount	SS	33"W x 8"D x 3/4"H	
DP-820D-33GR	8-U	Surface mount	SS	33"W x 8"D x 3/4"H	Included
DP-120D-45	10-U / 6-Y	Surface mount	SS	45"W x 5"D x 3/4"H	
DP-120D-45GR	10-U / 6-Y	Surface mount	SS	45"W x 5"D x 3/4"H	Included
DP-820D-45	10-U / 6-Y	Surface mount	SS	45"W x 8"D x 3/4"H	
DP-820D-45GR	10-U / 6-Y	Surface mount	SS	45"W x 8"D x 3/4"H	Included
DP-120D-51	12-U / 8-Y	Surface mount	SS	51"W x 5"D x 3/4"H	
DP-820D-51	12-U / 8-Y	Surface mount	SS	51"W x 8"D x 3/4"H	
DP-820D-51GR	12-U / 8-Y	Surface mount	SS	51"W x 8"D x 3/4"H	Included



Faucet knobs are not included.